

CENTRIC GREASE GUNS

PUSH ROD VERSION

PART #	DESCRIPTION	ID #	PRICE
36590	CONNECTOR	1	\$16.00
35184-13.5"	13.5" HIGH PRESSURE HOSE	2	\$45.00
35184-20"	20" HIGH PRESSURE HOSE		\$45.00
35690	FILLER CAP CONICAL	3	\$7.00
83746	GAUGE 0-600 BAR	4	\$95.00
80128	WASHER	5	\$4.00
32325	ROTARY COUPLING	6	\$35.00
80365	WASHER	7	\$3.75
81394	BIGGER SPRING	8	\$4.00
32344	VALVE PIN	9	\$5.00
33772	VALVE SEAT	10	\$20.00
82205	O-RING	11	\$2.50
82666	COPPER SEAL	12	\$3.00
33716	NON RETURN VALVE	13	\$20.00
83398	NEW LOW PRES PISTON	14	\$20.00
80657	BARREL JOINT SEAL	16	\$4.00
38004	CYLINDER	17	\$33.00
38195.04	PISTON ROD COMPLETE ASSY (CONVERSION KIT)	18	\$75.00
33707	LEVER	19	\$8.00
81697	SMALL TORSION SPRING	20	\$3.00
84630	PRYM PIN FOR PISTON	21	\$2.50
32340	PISTON	22	\$22.00
82495	X-RING	23	\$4.00
33773	PRES REL SCREW SHORT	24	\$10.00
82008	STEEL BALL (5/32")	25	\$2.50
35595	AIR RELEASE VALVE	26	\$10.00
80198	SEAL, CU JOINT	27	\$4.00
33705	HANDLE PLASTIC, KIT	29	\$12.50
33731.03	GUN HEAD	30	\$285.00
38013	COVER	32	\$10.00
38147	INSET (NEW STYLE)	33	\$8.00
38004	CYLINDER ONLY	34	\$33.00
81771	PRESSURE SPRING	35	\$16.00
38146	END SUPPORT FOR PISTON ASSY	36	\$12.00
84808	SECURITY DISC	37	\$2.00
82010	STEEL BALL (3/16")	38	\$2.50
43448	VALVE SEAT	39	\$14.00
33755	KIT BRACKET	40	\$15.00
NEW GREASE GUN: ROD STYLE			\$415.00

CHAIN VERSION

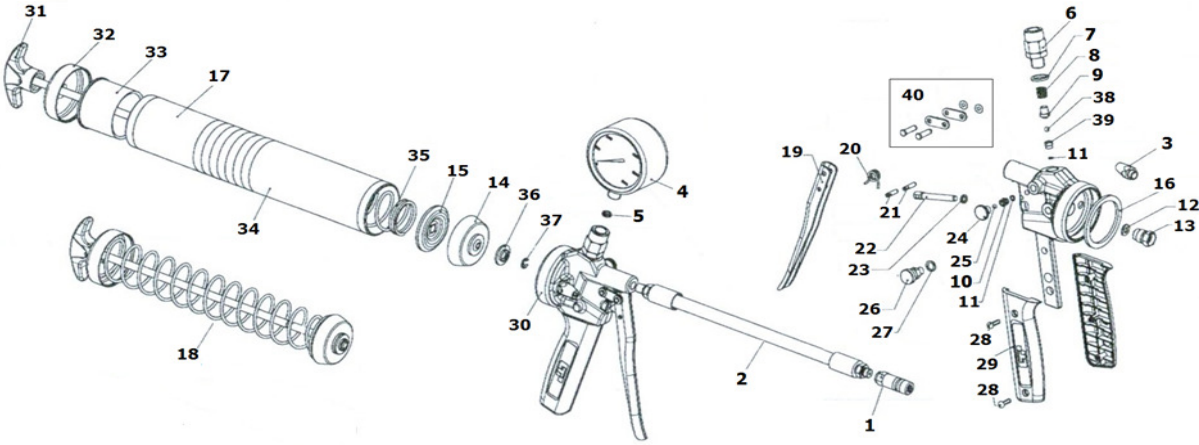
PART #	DESCRIPTION	PRICE
83746	GAUGE 0-600 BAR	\$95.00
80128	WASHER	\$4.00
32325	ROTARY COUPLING	\$35.00
80365	WASHER	\$3.75
81384	PRESSURE SPRING	\$4.00
81699	TORSION SPRING	\$4.00
84684	SPIRAL PIN	\$3.00
30643	VALVE PLUG	\$4.00
84630	PRYM PIN FOR PISTON	\$3.00
82495	X-RING	\$4.00
32340	PISTON	\$22.00
30508	ASPIRATION VALVE (OLD-SYTLT)	\$12.00
80657	BARREL JOINT SEAL	\$4.00
38004	CYLINDER	\$33.00
83576	PISTON SEAL, RED	\$9.75
38280	CHAIN BARREL ASSEMBLY (COMPLETE KIT)	\$95.00
36590	HYDR. CONNECTOR	\$16.00
35184-13.5"	13.5" HIGH PRESSURE HOSE	\$45.00
35184-20"	20" HIGH PRESSURE HOSE	\$45.00
80266	COPPER SEAL	\$3.00
32308	PRES. REL SCREW (OLD STYLE)	\$8.00
82010	STEEL BALL	\$2.50
35590	AIR RELEASE VALVE	\$9.00
80198	SEAL, CU JOINT	\$4.00
NEW GREASE GUN: CHAIN STYLE		\$450.00

GREASE FOR HYDRO-LOC TOOLING

CENTRIC	HPG2	PER TUBE	\$5.75
		PER CASE	\$45.00



PUSH ROD VERSION :

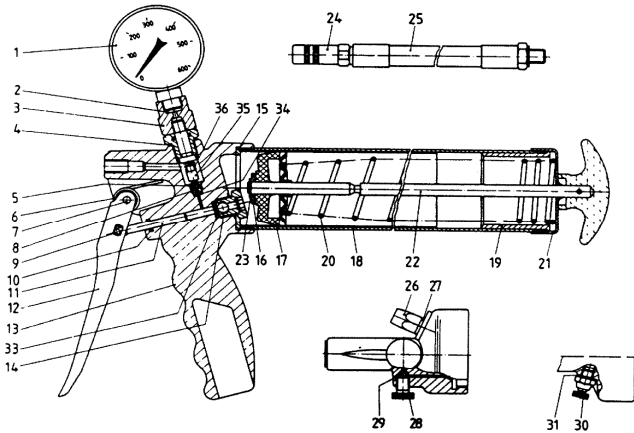


ADDITIONAL PARTS

PART #	DESCRIPTION	PRICE
30643	VALVE PLUG	\$4.00
81384	PRESSURE SPRING	\$4.00

PART#	KITS / PARTS FOR GREASE GUNS	PRICE
33758	PRES. RELEASE VALVE KIT W/SCREW	\$32.00
33755	KIT BRACKET	\$15.00
38195.04	CONVERSION KIT TO ADAPT FROM CHAIN GUN TO PUSH ROD TYPE	\$75.00
32345	SPARE PARTS KIT FOR OLD VERSION	\$58.00
33790	SPARE PARTS KIT FOR NEW VERSION	\$58.00
33731.03	VALVE HEAD COMPLETE	\$285.00

OLDER STYLE (PUSH ROD) :



OLDER STYLE (PUSH ROD)

PART #	DESCRIPTION	ID #	PRICE
83746	GAUGE 0-600 BAR	1	\$95.00
80128	WASHER	2	\$4.00
32325	ROTARY COUPLING	3	\$35.00
80365	WASHER	4	\$3.75
82010	STEEL BALL 3/16"	5	\$2.50
81699	TORSION SPRING	6	\$4.00
84684	SPIRAL PIN	7	\$3.00
43448	VALVE SEAT	8	\$14.00
84630	PRYM PIN FOR PISTON	9	\$3.00
82495	X-RING	10	\$4.00
32340	PISTON	11	\$22.00
30647.01	LEVER	12	\$10.00
30614.01	VALVE HEAD	13	N/A
48256.01	ASPIRATION VLVE	14	N/A
80657	BARREL JOINT SEAL	15	\$4.00
38080	SUPPORTING DISC	16	N/A
38075	LOW PRES. PISTON	17	\$20.00
38004	CYLINDER	18	\$33.00
38089	INSERT	19	\$4.00
81771	PRESSURE SPRING	20	\$16.00
38013	COVER	21	\$10.00
38078	PISTON ROD	22	N/A
84808	SECURITY DISC	23	\$2.00
36590	HYDR. CONNECTOR*	24	\$16.00
35184	PRES HOSE 20"	25	\$45.00
35184	PRES HOSE 13"	25	\$45.00
35690	FILLER CAP CMLPT	26	\$7.00
80266	COPPER SEAL	27	\$3.00
32308	PRES. REL SCREW	28	\$8.00
82010	STEEL BALL 3/16"	29	\$2.50
35595.01	AIR REL. VALVE	30	\$10.00
80198	SEAL, CU-JOINT	31	\$4.00
82250	O-RING (ASP.VALVE)	33	\$2.50
82205	O-RING (VALVE SEAT)	34	\$2.50
32339	SPRING PIN	35	\$6.00
81358	PRESSURE SPRING	36	\$5.00

CENTRIC GREASE GUN REPAIR

**WE REPAIR GREASE GUNS IN-HOUSE
 \$45.00 LABOR + PARTS
 SEND IN OLD/NON-WORKING GUNS AND GET THEM BACK GOOD AS NEW!**

