

# CENTRIC GREASE GUNS

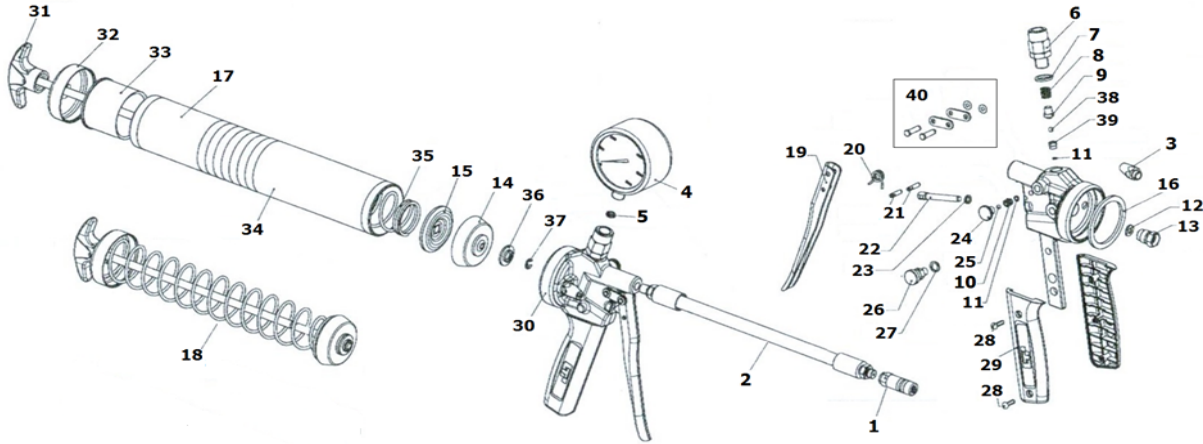
## NEW VERSION PUSH ROD

PART #	DESCRIPTION	ID #	PRICE
36590	CONNECTOR	1	\$16.00
35184-13.5"	13.5" HIGH PRESSURE HOSE	2	\$45.00
35184-20"	20" HIGH PRESSURE HOSE	2	\$45.00
35690	FILLER CAP CONICAL	3	\$7.00
83746	GAUGE 0-600 BAR	4	\$95.00
80128	WASHER	5	\$4.00
32325	ROTARY COUPLING	6	\$34.00
80365	WASHER	7	\$4.00
81394	BIGGER SPRING	8	\$4.00
32344	VALVE PIN	9	\$5.00
33772	VALVE SEAT	10	\$15.00
82205	O-RING	11	\$2.50
82666	COPPER SEAL	12	\$3.00
33716	NON RETURN VALVE	13	\$20.00
83398	NEW LOW PRES PISTON	14	\$16.00
38148	DISC FOR LOW PRES PIST	15	\$5.00
80657	BARREL SEAL	16	\$4.00
38004	CYLINDER	17	\$33.00
38195.04	PISTON ROD COMPLETE ASSY (CONVERSION KIT)	18	\$75.00
33707	LEVER	19	\$8.00
81697	SMALL TORSION SPRING	20	\$3.00
84631	SPIRAL PIN FOR PISTON	21	\$2.50
32340	PISTON	22	\$22.00
82495	X-RING	23	\$4.00
33773	PRES REL SCREW SHORT	24	\$10.00
82008	STEEL BALL (5/32")	25	\$2.50
35595	AIR RELEASE VALVE	26	\$9.50
80198	SEAL, CU JOINT	27	\$4.00
84391	SCREW FOR HANDLE (2)	28	\$2.50
33705	HANDLE PLASTIC	29	\$12.50
33731	GUN HEAD	30	\$258.00
38078	PISTON ROD	31	\$24.00
38013	COVER	32	\$10.00
38147	INSET (NEW STYLE)	33	\$8.00
38004	CYLINDER ONLY	34	\$33.00
81771	PRESSURE SPRING	35	\$16.00
38146	END SUPPORT FOR PISTON ASSY	36	\$12.00
84808	SECURITY DISC	37	\$2.00
82010	STEEL BALL (3/16")	38	\$2.50
43448	VALVE SEAT	39	\$14.00
33755	KIT BRACKET	40	\$15.00
<b>NEW GREASE GUN: ROD STYLE</b>			<b>\$435.00</b>

## CHAIN VERSION

PART #	DESCRIPTION	PRICE
N83746	GAUGE	\$95.00
K80128	WASHER	\$4.00
32325	ROTARY COUPLING	\$34.00
K80365	WASHER	\$3.50
K81384	PRESSURE SPRING	\$4.00
K81699	TORSION SPRING	\$4.00
N84684	SPIRAL PIN	\$3.00
K30643	VALVE PLUG	\$4.00
N84630	SPIRAL PIN	\$3.00
N82495	X-RING	\$4.00
H32340	PISTON	\$22.00
B30508	NON RETURN VALVE	\$12.00
K80657	JOINT SEAL	\$4.00
H38004	CYLINDER	\$33.00
K83576	PISTON SEAL RED	\$9.75
K80162	JOINT PAD	\$10.00
H32329	GUIDE	\$45.00
B39075	SUPPORT	\$12.00
K81763	PRESSURE SPRING	\$32.50
N83901	CHAIN .6m	\$12.00
N84681	SPIRAL PIN	\$2.50
B30657	END COVER	\$14.00
H39096	LINING	\$2.50
N82741	FLAT WASHER	\$5.00
K81656	PRESSURE SPRING	\$5.00
H39095	HANDLE	\$10.00
36590	HYDR. CONNECTOR	\$16.00
35184	HOSE	\$45.00
H30642	COVER PLUG	\$4.00
K80266	WASHER	\$3.00
H32308	PRES. REL SCREW	\$8.00
N82010	STEEL BALL	\$2.50
35590	AIR RELEASE VALVE	\$9.00
K80198	WASHER JOINT SEAL	\$4.00
<b>NEW GREASE GUN: CHAIN STYLE</b>		<b>\$485.00</b>

**NEW VERSION (PUSH ROD) :**

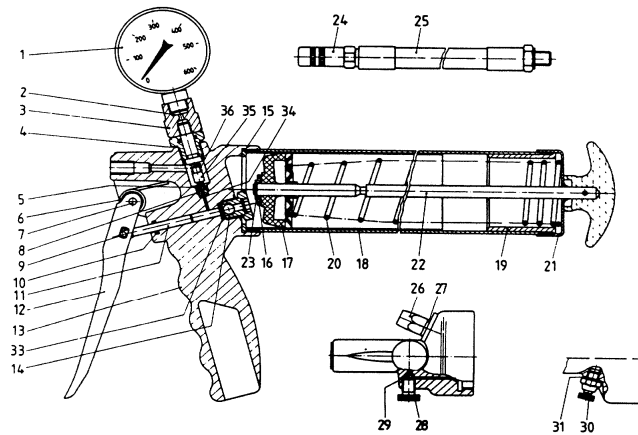


**ADDITIONAL PARTS**

PART #	DESCRIPTION	PRICE
30643	VALVE PLUG	\$4.00
81384	PRESSURE SPRING	\$4.00
32308	PRES. RELEASE SCREW	\$8.00
30508	ASPIRATION VALVE	\$8.00
35590	AIR RELEASE VALVE	\$9.00

PART#	KITS / PARTS FOR GREASE GUNS	PRICE
33758	PRES. RELEASE VALVE KIT W/SCREW	\$32.00
33755	KIT BRACKET	\$15.00
38195.04	CONVERSION KIT TO ADAPT /CONVERT CHAIN GUN TO PUSH ROD TYPE	\$75.00
32345	SPARE PARTS KIT FOR OLD VERSION	\$58.00
33790	SPARE PARTS KIT FOR NEW VERSION	\$58.00
33731.03	VALVE HEAD COMPLETE	\$258.00

**OLDER STYLE (PUSH ROD) :**



**OLDER STYLE (PUSH ROD)**

PART #	DESCRIPTION	ID #	PRICE
83746	GLYCERING GAUGE	1	\$95.00
80128	WASHER	2	\$4.00
32325	ROTARY COUPLING	3	\$34.00
80365	WASHER	4	\$3.50
82010	STEEL BALL 3/16"	5	\$2.50
81699	TORSION SPRING	6	\$4.00
84684	SPIRAL PIN	7	\$3.00
43448	VALVE SEAT	8	\$14.00
84630	PRIM PIN	9	\$3.00
82495	X-RING	10	\$4.00
32340	PISTON	11	\$22.00
30647.01	LEVER	12	\$10.00
30614.01	VALVE HEAD	13	n/a
48256.01	ASPIRATION VLVE	14	n/a
80657	JOINT	15	\$4.00
38080	SUPPORTING DISC	16	\$2.50
38075	LOW PRES. PISTON	17	\$20.00
38004	CYLINDER	18	\$33.00
38089	INSERT	19	\$4.00
81771	PRESSURE SPRING	20	\$16.00
38013	COVER	21	\$10.00
38078	PISTON ROD	22	\$24.00
84808	SECURITY DISC	23	\$2.00
36590	HYDR. CONNECTOR*	24	\$16.00
35184	PRES HOSE 20"	25	\$45.00
35184	PRES HOSE 13"	25	\$45.00
35690	FILLER CAP CMLPT	26	\$7.00
80266	COPPER SEAL	27	\$3.00
32308.01	SCREW	28	\$8.00
82010	STEEL BALL 3/16"	29	\$2.50
35595.01	AIR REL. VALVE	30	\$9.50
80198	CU-JOINT	31	\$4.00
82250	O-RING (ASP.VALVE)	33	\$2.50
82205	O-RING (VALVE SEAT)	34	\$2.50
32339	SPRING PIN	35	\$6.00
81358	PRESSURE SPRING	36	\$5.00

**CENTRIC GREASE GUN REPAIR**

**WE REPAIR GREASE GUNS IN-HOUSE  
 \$45.00 LABOR + PARTS  
 SEND IN OLD/NON-WORKING GUNS AND GET THEM BACK GOOD AS NEW!**