

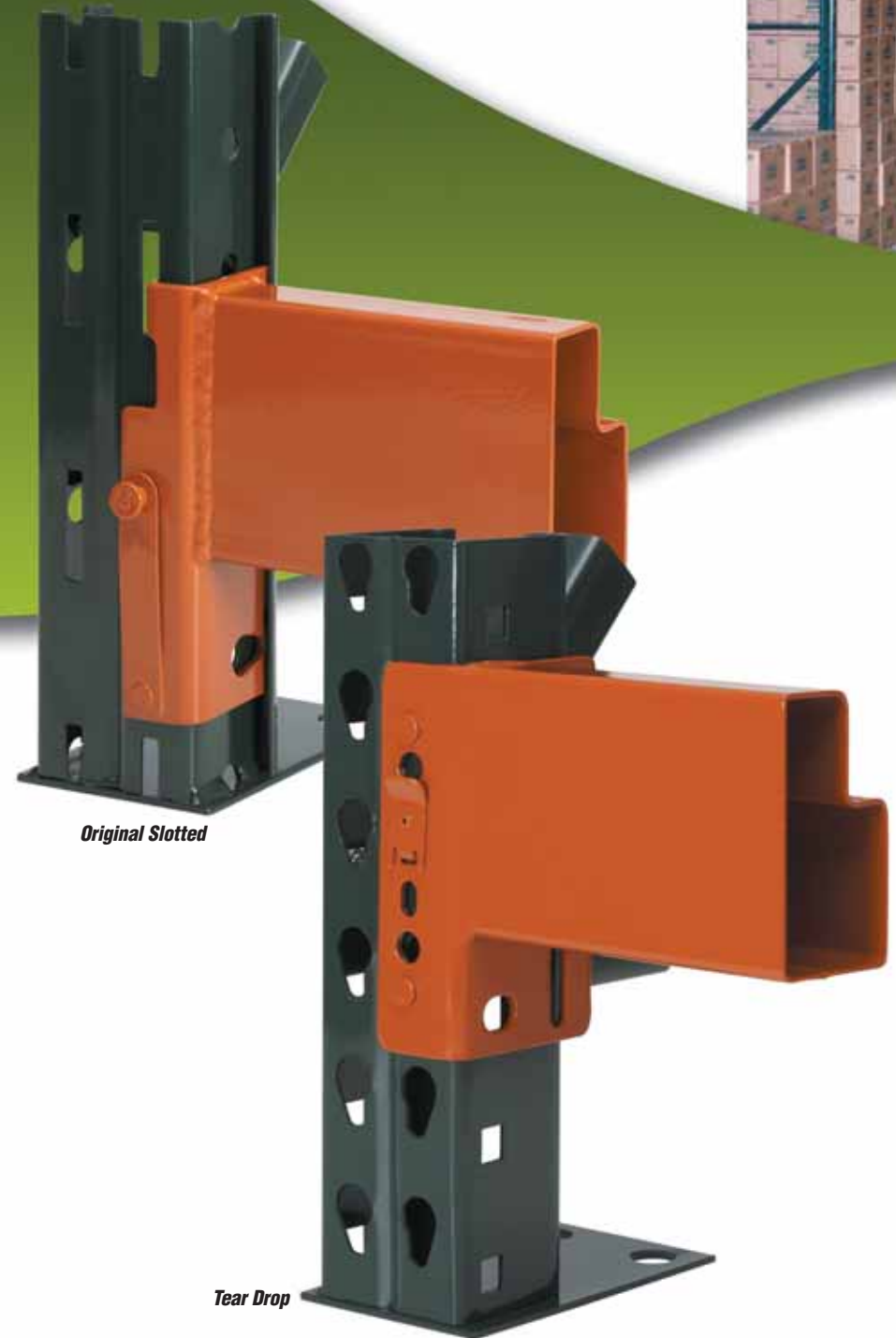


Leading the Industry... Wide Range of Storage Systems

Ridg-U-Rak is one of the largest storage rack manufacturers in North America, with an annual capacity of more than 100 million pounds and 400,000 sq. ft. of production and warehouse space. From economical 100% selective rack to high-density storage systems, Ridg-U-Rak offers a solution to meet virtually any storage need.



Storage Rack Systems Selection Guide



Original Slotted

Tear Drop

Roll Formed Columns and Beams

At the heart of most Ridg-U-Rak structures is our famous roll-form column design. Each upright is fully welded using heavy-duty bracing and base plates to ensure structural integrity and to eliminate installation delays and costs inherent in bolt-together uprights.

Ridg-U-Rak offers a wide variety of column and beam profiles of various gages to provide our customers with the most efficient solutions possible.

All uprights, beams and support components are engineered to maximize load capacities while minimizing weight to reduce cost.



RIDG-U-RAK®



100% SELECTIVE PALLET RACKS

HIGH DENSITY

Original Slotted

Tear Drop

Structural

Drive-In/Drive-Thru

Push-Back

Gravity Flow



Original Ridg-U-Rak Hook and Slot Design

Ridg-U-Rak's original slotted roll-formed columns with fully welded bracing sets the standard for rigidity, strength and durability. Ridg-U-Rak is available in a wide variety of sizes and load capacities.

Columns Sizes: 3x2-1/4, 3x3 and 4x3-inch

Beam Sizes: 2-1/2 thru 6-1/2 inch step beams

Connection Style: Hook and Slot with automatic lock

Features:

- Roll-formed columns with 180° return flanges
- 100% welded uprights
- Superior bracing design
- Large base plates
- Offset anchor holes
- 4" vertical adjustability



Industry Compatible Tear Drop Style Rack

Ridg-U-Rak's Tear Drop beam-to-column connection is designed to be compatible with other widely available Tear Drop systems. Ridg-U-Tier II provides an enhanced, rigid, patented automatic lock for improved safety.

Columns Sizes: 3x1-5/8, 3x2-1/4, 3x3 and 4x3-inch

Beam Sizes: 2-1/2 thru 6-1/2 inch step beams

Connection Style: Tear Drop and Pin with automatic lock

Features:

- Offset anchor holes
- Two-inch vertical adjustability
- Large base plate
- 6 bend column
- 100% welded uprights
- Large base plates



Slotted or Bolted

These systems use hot-rolled structural steel channels for uprights and beams. Beam-to-column bolted systems provide a strong and rigid structure that is adjustable on 2-inch increments. Beam-to-column slotted connections provide an "easy-to-install and reconfigure" system that is adjustable in 4-inch increments.

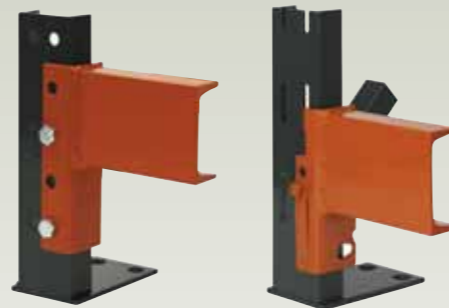
Columns Sizes: 3-inch & 4-inch channels

Beam Sizes: 3-inch and greater

Connection Style: Bolted or slotted connections

Features:

- Various sizes and capacities
- Slotted is NSF-approved
- Large base plates
- Hybrid structural/roll-formed systems are available



Bolted Connection
Vertically adjustable on 2" centers

Slotted Connection
Vertically adjustable on 4" centers

Ridg-U-Rail 2000 or Space Saver Rails

Drive-In and Drive-Thru systems store product on continuous rails that

allow lift trucks to enter the rack structure to place and retrieve pallets. Fewer aisles are required, thus increasing storage density. These "last-in, first-out" storage systems are ideal for warehousing similar products on like-sized pallets.



The **Ridg-U-Rail 2000** is a roll-formed rail offering unparalleled strength and rigidity.



The **Space Saver Rail** saves vertical space when height is critical.

Features & Benefits:

- Fewer aisles
- Increased storage space
- Depth of system virtually unlimited

Applications:

- High volume SKU storage
- Freezer/Cooler storage
- Storage of common-sized pallets

Cart-On-Rail System



Push Back systems offer similar storage density as drive-in while improving selectivity and accessibility to a range of SKUs. Product stored in lanes rest on a system of cart-on-rails commonly

available in 2 to 6 pallets deep. From one aisle, pallets are stored by "pushing back" stored pallets and placing the new load on the next cart position. Retrieving a pallet causes each subsequent pallet to move forward into a ready position. This "last-in, first-out" system (per lane) reduces picking time when a large number of picking faces are required.

Ridg-U-Rak's patented design features large coated wheels with sealed bearings. The linked cart design provides for smoother operation.

Standard Load: up to 3,000 lbs.

Features & Benefits:

- Higher utilization of available pallet positions than most storage systems
- Patented design
- Easy rolling carts with large coated wheels
- Low maintenance sealed bearings
- Linked carts
- Cart anti-lift-out devices
- Low cart stack height

Applications:

- Universal product storage
- Aisle access to each pick face
- Large number of SKUs and pick faces

First In, First Out Pallet Flow



Ideal for supplying pallet loads of common SKUs. Pallet loads are placed at the charge end, then flow down an incline to be picked at the opposite end. Gravity flow racks are an economical first-in first-out storage solution. When pallets other than GMA pallets are used, Ridg-U-Rak conducts pallet tests using the client's actual pallet to ensure the flow system functions properly.

Standard Load: 3,000 lbs

Features & Benefits:

- Deeper systems
- Multiple roller options
- Available entry guides
- First in - first out per lane

Applications:

- Commonly used in pick modules and staging areas
- Large volume per SKU
- High throughput

Applications & Options:

- 100% Selective
- Industrial, retail and general warehousing
- Many accessories available
- Economical installation
- Universal application
- Easily reconfigured
- Versatile for inventory changes
- Immediate access to every pallet load

STORAGE

Very Narrow Aisle



Limited Space Solutions

VNA racks provide a significant reduction in floor space devoted to aisles and can reach heights of 40 feet or higher.

Columns & Beams: Roll-formed or structural

Features & Benefits:

- 100% Selective Rack (see Selective Rack Features & Benefits)

Double Deep

Gain 60% Density



By simply placing one row of selective rack behind another, Double Deep systems increase the productive use of floor space by 60% to 65%.

These structures offer low initial cost, good density and selectivity.

Columns & Beams: Roll-formed or structural

Features & Benefits:

- Good selectivity
- Cost and space efficient
- Design flexibility

Applications:

- Limited space
- Combination of Selective and High Density storage at lower costs

Pick Modules



Multi-level Order Picking Systems

Pick modules are custom multi-level order picking and storage systems. They have a lift truck aisle on one side of the system and an order picking aisle on the opposite side. Pallets and products are inserted into the system from the truck aisle and removed by order pickers on the pick side. System may include multiple storage methods such as pallet flow, carton flow, push-back and static storage to optimize product throughput. Ridg-U-Rak offers comprehensive engineered solutions to complex picking operations.

Features & Benefits:

- Full-service engineering, project management and installation
- Multi-level picking
- Various types of floors and decking
- On-site project management



Applications:

- High volume order fulfillment
- Regional distribution operations
- Rapid order picking

Horizontal Pallet Transfer System™



Patented High Density Deep Flow Powered System

Ridg-U-Rak's HPTS provides a reliable, uninterrupted flow

of product without the disadvantages of gravity flow systems. Pallets travel on rollers and are moved through the system by a motorized carriage. The pallets move horizontally at a controlled forward speed.

This means no wasted vertical space at the input end.



Features & Benefits:

- Unlimited lane depth
- Optimize vertical space
- Simple design and operation
- Product always staged at discharge end
- Mixed pallet weights in the same lane

Applications:

- Food & process plants
- Distribution facilities
- Large volume SKUs

Stac-U-Rak Stacker Systems



Stacker with Integral Crane



Improve storage density and simplify handling of heavy loads on removable steel pallets weighing up to 6,000 pounds. Stac-U-Rak uses proprietary pallets that engage heavily braced columns in slots at the rear and pegs in the front for ease of pallet alignment. Systems offer great flexibility and a variety of storage configurations. A fully motorized crane option makes operation easier and safer.

Features & Benefits:

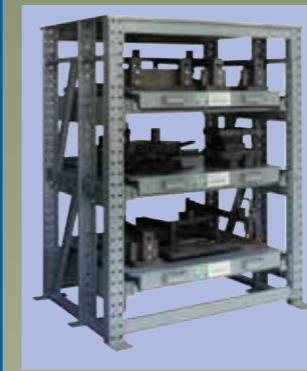
- Steel pallet with tongue and hooks
- Heavy-duty bracing
- Increased storage flexibility
- 2,000/4,000/6,000 lbs. capacity standard per pallet
- Integrated safety features

Applications:

- Tool & die storage
- Organize components & sub-assemblies
- Work-in-progress storage

SPECIALIZED STORAGE

Extendo-Max Roll-Out Shelving



100% Shelf Extension



Roll-out shelves extend to 100% of their depth for clear access to stored items. The new "V" roller shelf guide mechanism improves drawer operation for retrieving heavy loads. Many sizes and options are available.

Maximum Load: 3,000 lbs per shelf

Features & Benefits:

- 100% shelf extension
- Solid steel construction
- Shelf capacities of 2,000 or 3,000 lbs.
- Smooth V-Wheel operation
- Optional doors, back and side panels
- Locking doors and shelves
- Easily expandable

Applications:

- Aircraft & automotive
- Tools, dies and molds
- Steel fabricators
- Maintenance areas

Cantilever



Ideal for Long Dimension Products

Cantilever racks use arms that extend from the towers allowing unobstructed access to items. Materials of varying lengths can be stored. These racks are available as roll-formed or structural shapes.

Features & Benefits:

- Unobstructed access
- Storage flexibility
- Various lengths randomly stored

Applications:

- Pipe, tubing and bar stock storage
- Lumber and wood products
- Appliance, furniture and electronics
- Automotive recyclers

Wide Span



Light Duty Racking

Useful for storage of material where racking is needed, but where shelving is too light. Its modular design allows for stand-alone units to be easily expanded using common upright frames.

Columns Sizes: 1-3/4 x 1-3/4-inch

Beam Sizes: 3-1/4-inch open channel and closed tube

Features & Benefits:

- Modular design
- Stand alone units
- Easily expandable
- Beam locks

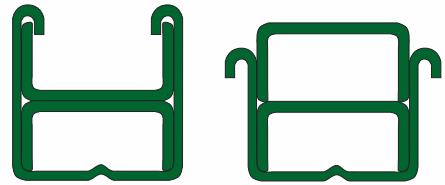
Applications:

- Archive/record storage
- Hand stack material
- Office supplies
- Households & garages



Safety and Innovation

As an industry pioneer and founding member of the Rack Manufacturers Institute, Ridg-U-Rak has always taken a leadership position in developing innovative solutions to improve rack safety. Column Sentry reinforcements, slant back/offset uprights, beam-to-column locking mechanisms and our new Seismic Base Isolation Technology are all examples of this commitment to safety and innovation.



Column Sentry reinforcing options



Superior Design for Strength and Value

Design through Installation

Ridg-U-Rak is a customer-centric, full-service organization offering project management, engineering, design and installation services. Our highly experienced engineering staff can handle a multitude of complex projects and work directly with our project managers to ensure that all specifications are satisfied.

A new project begins with designers using proprietary software to layout storage systems to meet the capacity and utilization requirements unique to our customer's needs. A Project Management Team ensures the ultimate success and total customer satisfaction of every project. This team is lead by a Project Manager who coordinates the engineering analysis, design details and communication with onsite Field Supervisors.

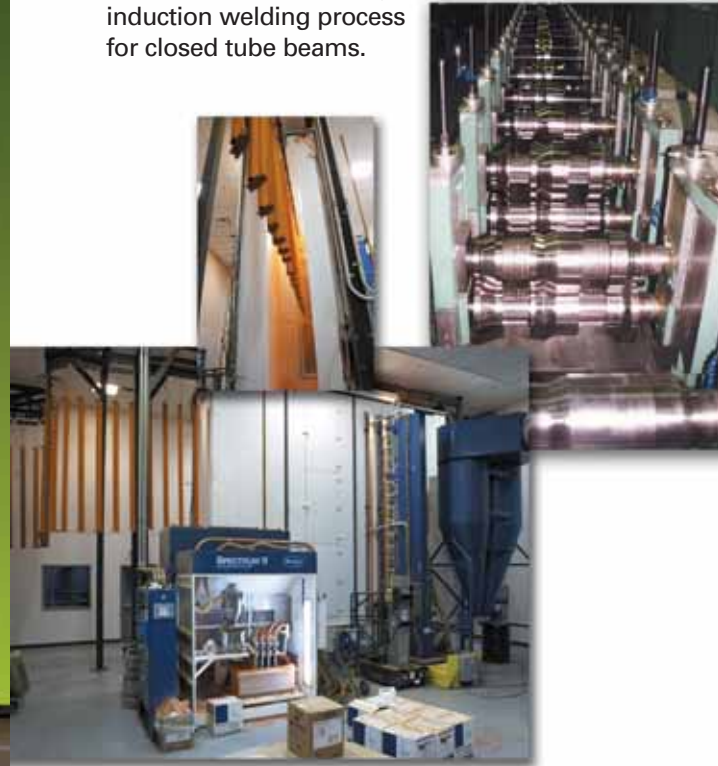
To complete the process, Ridg-U-Rak can provide skilled installation services for any project. Installation teams arrive on-site ready to meet your schedule... on time and on budget.



Quality Manufacturing

Roll Form Manufacturing

State-of-the-Art high volume roll form operation using induction welding process for closed tube beams.



AWS Certified Welders

The quality of the workmanship performed on a rack system directly relates to that rack's durability and safe-usage. Ridg-U-Rak uses AWS certified welders to ensure manufacture of reliable products.

State-of-the-Art Powder Coat Paint Systems

Racks built to last require a durable finish. Our powder coated paint finish has superior impact resistance and is applied by our state-of-the-art automated paint line for uniform quality. Additionally, hard-to-access areas are hand-sprayed to ensure coverage. Ridg-U-Rak systems resist chips and scratches, providing a long-lasting finish for better appearance and reduced maintenance.

Quality Control

Certified fabricator in numerous municipalities around the United States.

For more information,
please contact us:

Toll Free: 866-479-7225

Phone: 814-725-8751

Fax: 814-725-5659

www.ridgurak.com



Ridg-U-Rak is a founding member in good standing of RMI. The Storage Rack covered by this manual is in full compliance with the latest design specification approved by the members of the RACK MANUFACTURERS INSTITUTE. We believe that it is important to you that your supplier be committed to the principles of continuous improvement in both product design/application, and in the highest professional and ethical standards of performance as embodied in the mission and work conducted within RMI.



Famous for integrity for over 60 years

Proud member of these organizations:

